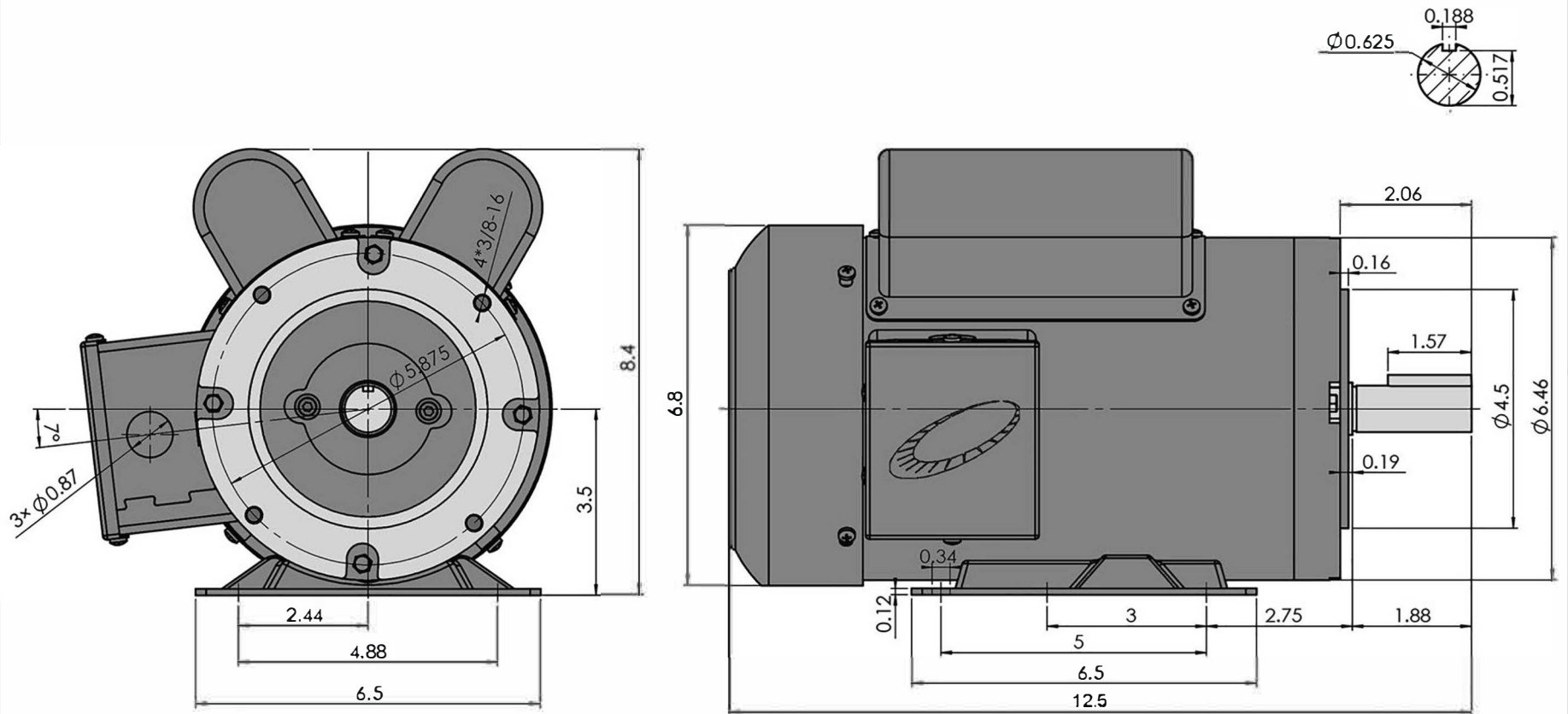


# MaxMotion



**MTR-154FDCH-AUTO**

Version:2HUA	Revised: July 2020	<b>HP</b>	<b>RPM</b>	<b>FRAME</b>	<b>ENCLOSURE</b>
Customer is responsible in determining that MaxMotion product will fit/perform suitably in the intended application		<b>1.5</b>	<b>1800</b>	<b>56HC</b>	<b>TEFC</b>